

12

11

10

9

8

7

D

D

C

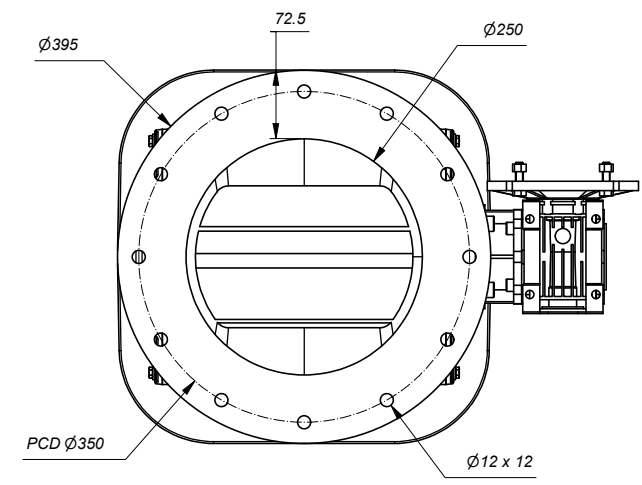
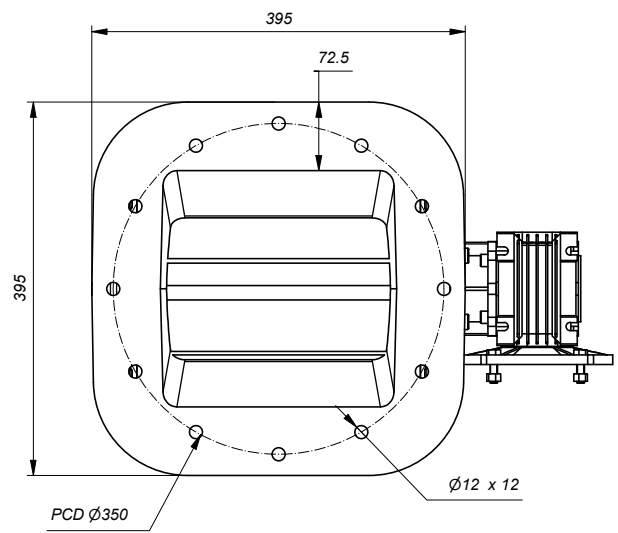
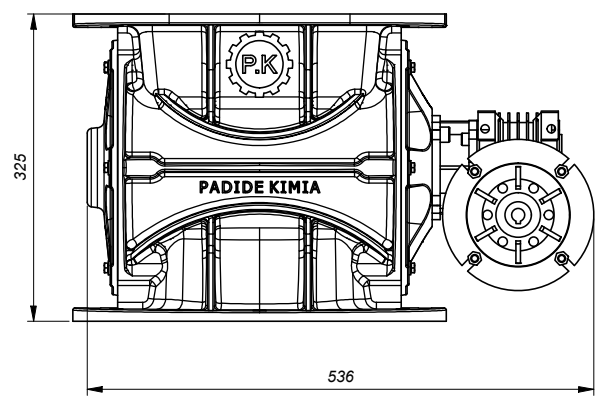
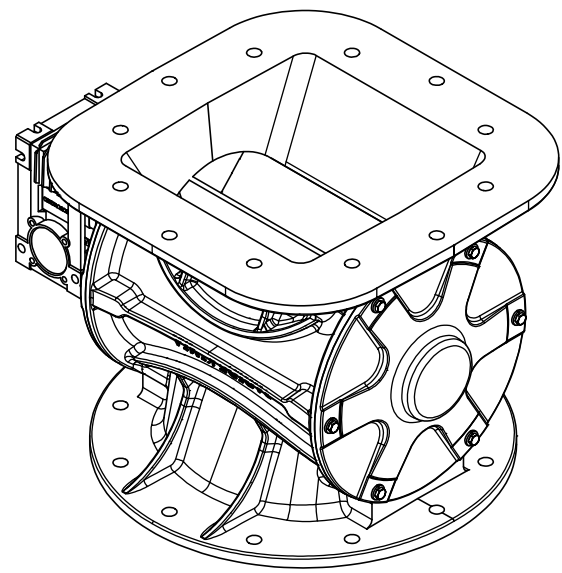
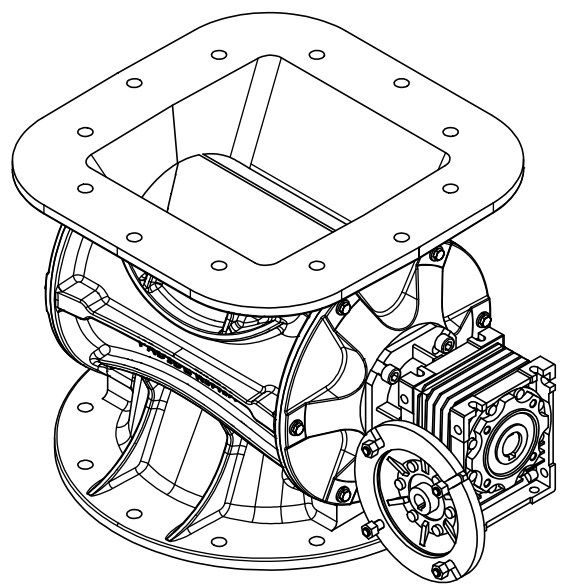
C


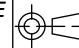
B

B

A

A



 PADIDE KIMIA Co.		SIZE A4	 DWG NO.	ROTARY VALVE 10"	REV. 0
		SCALE: 1:10	FILE NO.	SHEET. 1 OF. 1	
ISSUE	DRAWN	8	7	7	7

12

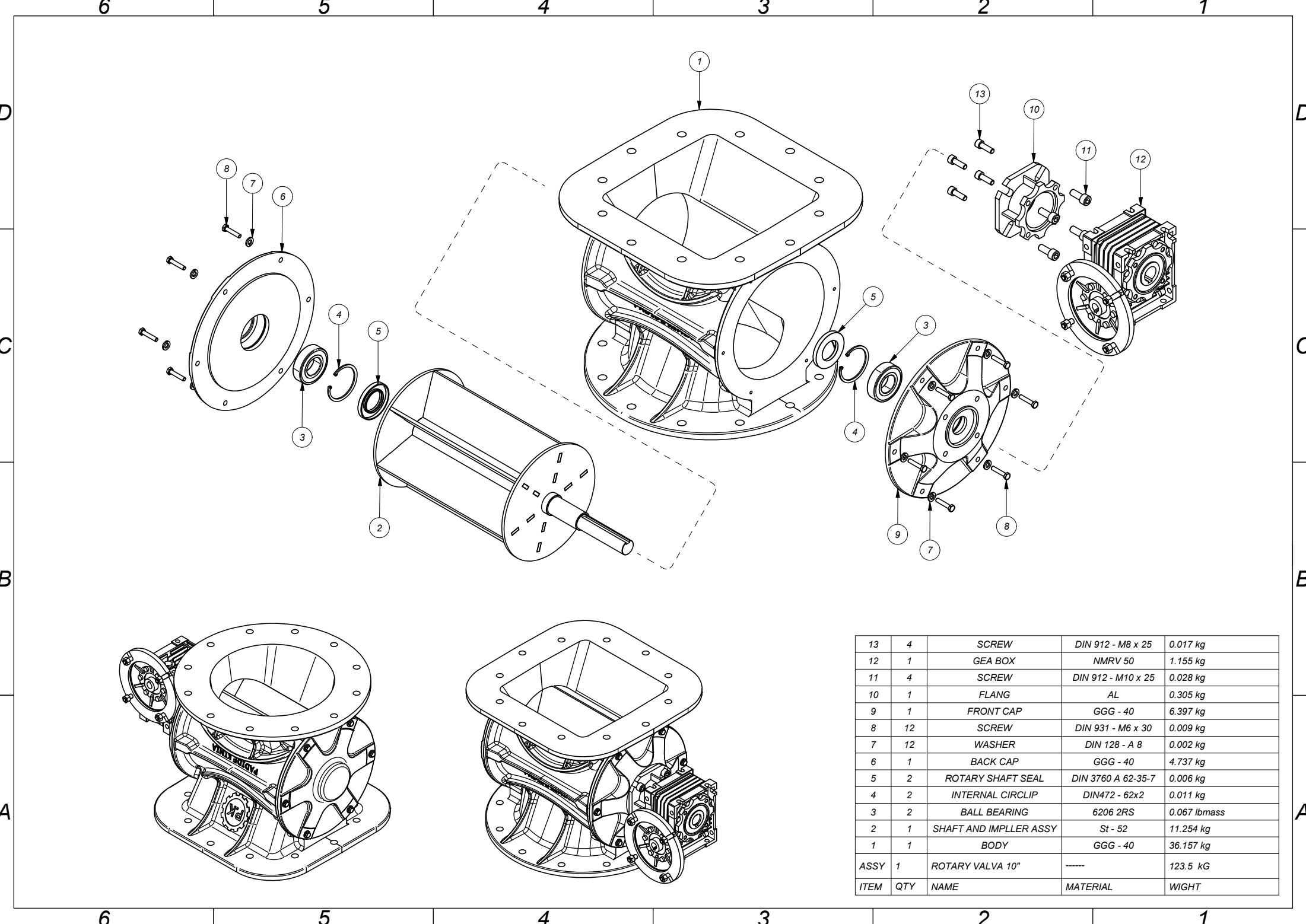
11

10

9

8

7



13	4	SCREW	DIN 912 - M8 x 25	0.017 kg
12	1	GEA BOX	NMRV 50	1.155 kg
11	4	SCREW	DIN 912 - M10 x 25	0.028 kg
10	1	FLANG	AL	0.305 kg
9	1	FRONT CAP	GGG - 40	6.397 kg
8	12	SCREW	DIN 931 - M6 x 30	0.009 kg
7	12	WASHER	DIN 128 - A 8	0.002 kg
6	1	BACK CAP	GGG - 40	4.737 kg
5	2	ROTARY SHAFT SEAL	DIN 3760 A 62-35-7	0.006 kg
4	2	INTERNAL CIRCLIP	DIN472 - 62x2	0.011 kg
3	2	BALL BEARING	6206 2RS	0.067 lbmass
2	1	SHAFT AND IMPLLER ASSY	St - 52	11.254 kg
1	1	BODY	GGG - 40	36.157 kg
ASSY	1	ROTARY VALVA 10"	-----	123.5 kG
ITEM	QTY	NAME	MATERIAL	WIGHT