

12	4	SCREW	DIN 933 M8x20	0.048 kg
11	8	SCREW	DIN912 - M10x25	0.028 kg
10	1	FLANG	AL 6061	0.819 kg
9	1	GEAR BOX	NMRV-090	4.656 kg
8	1	FRONT CAP	GGG - 40	15.521 kg
7	12	SCREW	DIN933 - M12x30	0.044 kg
6	1	BACK CAP	GGG - 40	10.516 kg
5	2	ROTARY SHAFT SEAL	DIN 3760 A 90-45-10	0.014 kg
4	2	INTERNAL CIRCLIP	DIN 472 - 90 x 3	0.035 kg
3	2	BALL BEARING	6308 2RS	1.308
2	1	SHAFT AND IMPLLER ASSY	St 52	35.853 kg
1	1	BODY	GGG - 40	64.677 kg
ASSY	1	ROTARY VALVA 14"	-----	123.5 kG
ITEM	QTY	NAME	MATERIAL	WIGHT

12

11

10

9

8

7

D

D

C

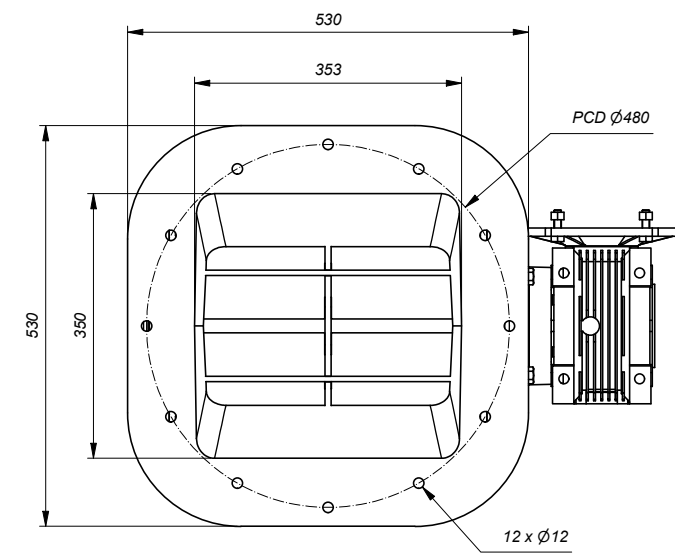
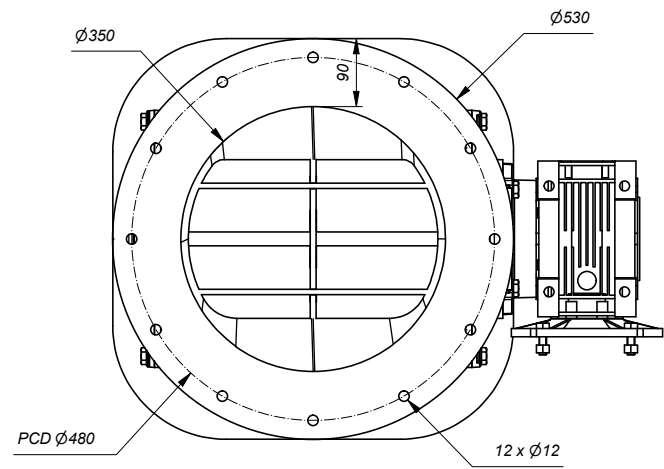
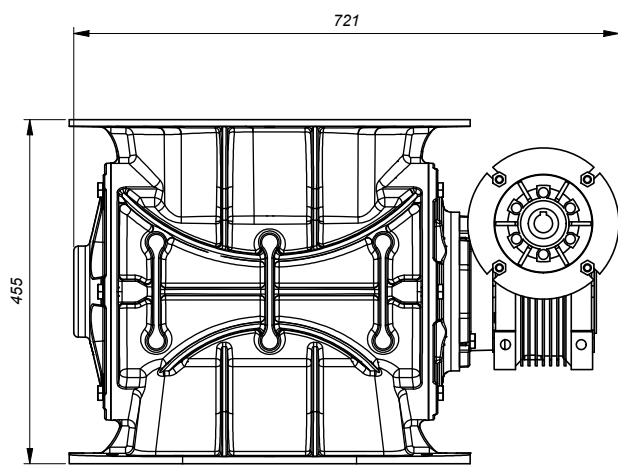
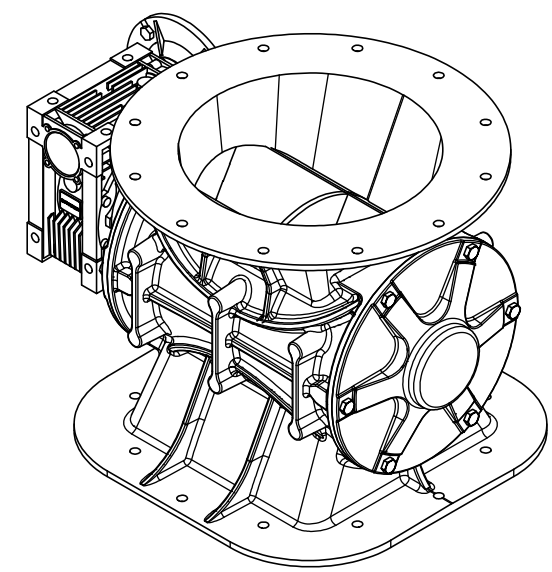
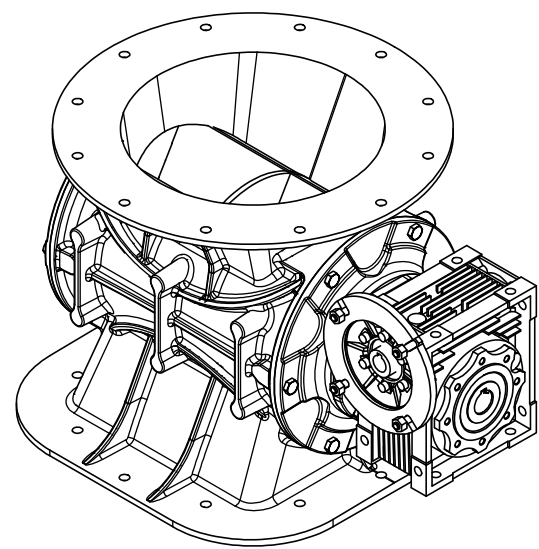
C


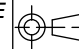
B

B

A

A



 PADIDE KIMIA Co.		SIZE		DWG NO.	ROTARY VALVE 14"	REV.
		ISSUE		DRAWN	SCALE.	FILE NO.

12

11

10

9

8

7