

12

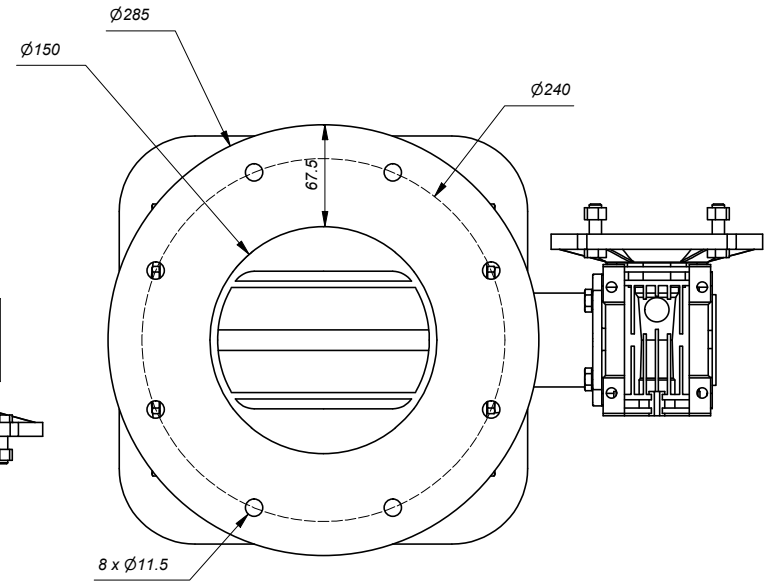
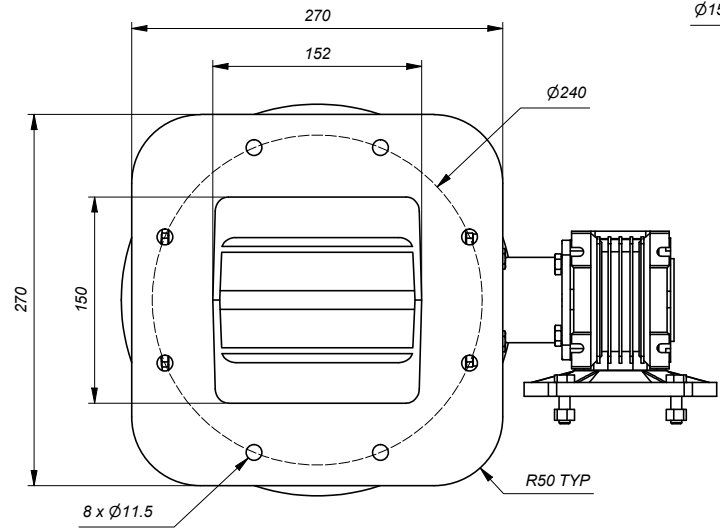
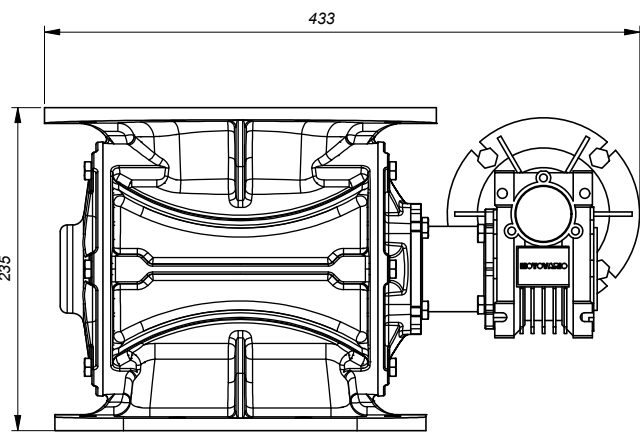
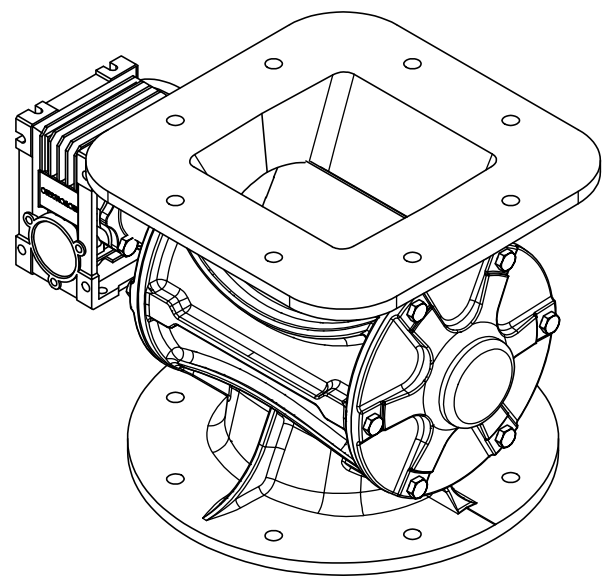
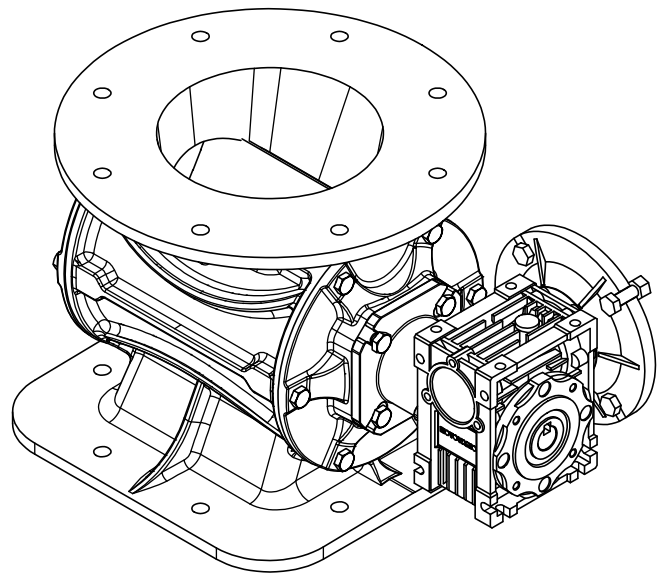
11

10

9

8

7



D

D

C

C

B

B

A

A

12



11

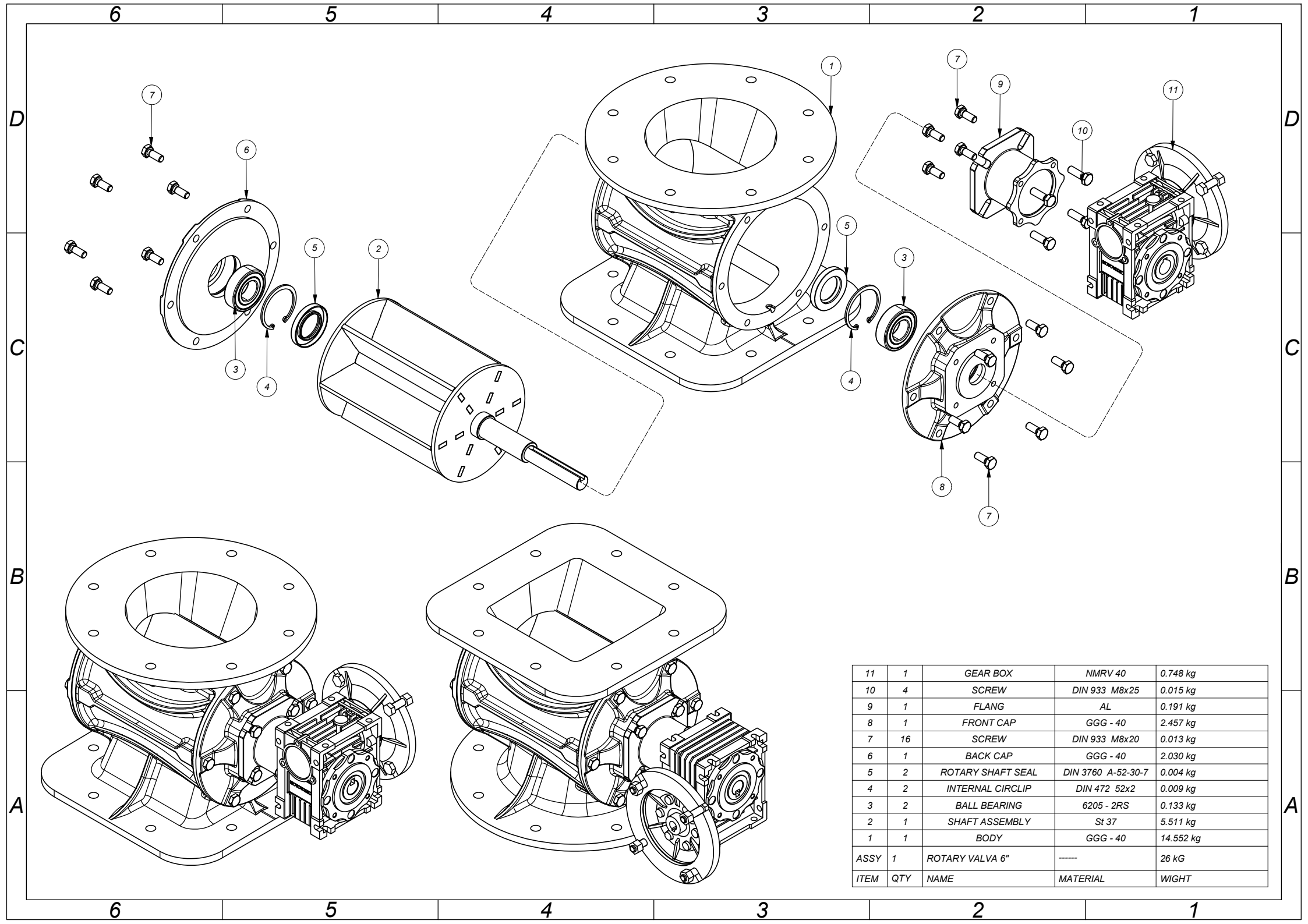
10

9

8

7

 PADIDE KIMIA Co.		SIZE		DWG NO.	REV.
		SCALE.		DATE: 99/09/10	SHEET. 1 OF.
ISSUE	DRAWN				



11	1	GEAR BOX	NMRV 40	0.748 kg
10	4	SCREW	DIN 933 M8x25	0.015 kg
9	1	FLANG	AL	0.191 kg
8	1	FRONT CAP	GGG - 40	2.457 kg
7	16	SCREW	DIN 933 M8x20	0.013 kg
6	1	BACK CAP	GGG - 40	2.030 kg
5	2	ROTARY SHAFT SEAL	DIN 3760 A-52-30-7	0.004 kg
4	2	INTERNAL CIRCLIP	DIN 472 52x2	0.009 kg
3	2	BALL BEARING	6205 - 2RS	0.133 kg
2	1	SHAFT ASSEMBLY	St 37	5.511 kg
1	1	BODY	GGG - 40	14.552 kg
ASSY	1	ROTARY VALVA 6"	-----	26 kG
ITEM	QTY	NAME	MATERIAL	WIGHT